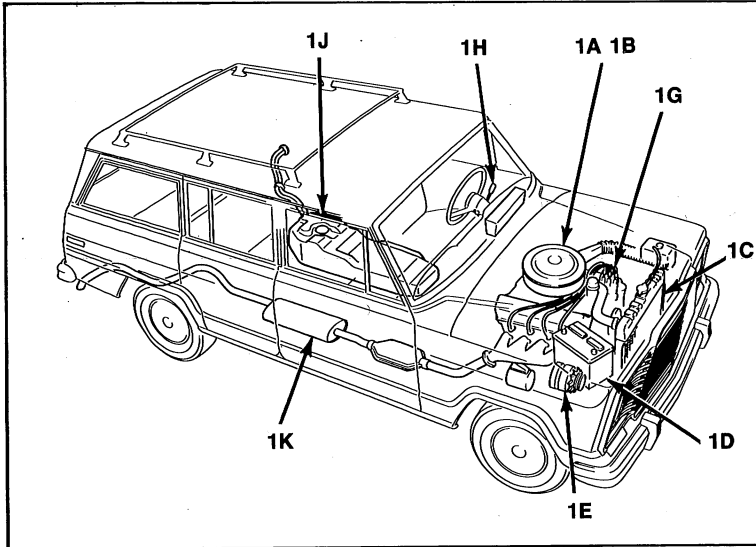


SUPPLEMENT NO. 1

1982

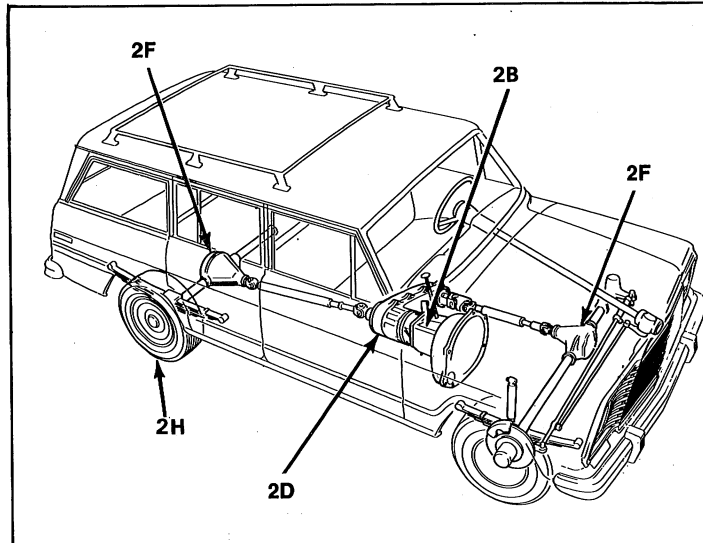
JEEP TECHNICAL SERVICE MANUAL

General Information	A
Maintenance	B



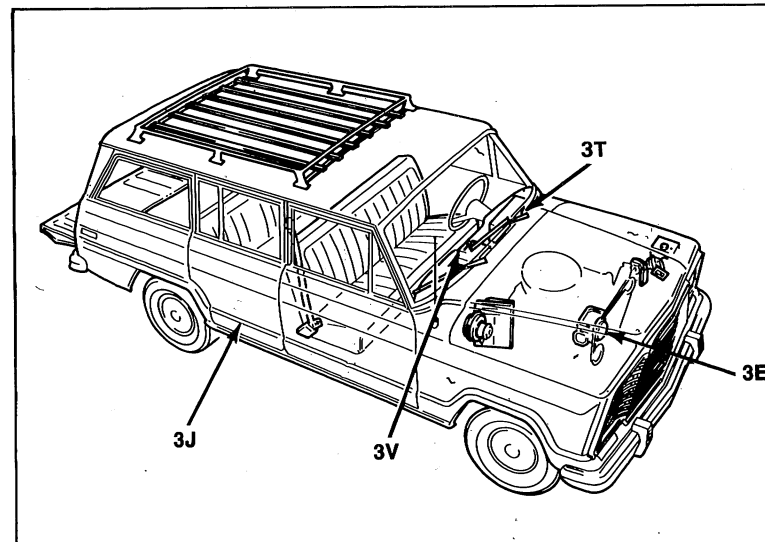
- CHAPTERS
- 1A GENERAL SERVICE AND DIAGNOSIS
 - 1B ENGINES
 - 1C COOLING SYSTEMS
 - 1D BATTERIES
 - 1E CHARGING SYSTEM
 - 1G IGNITION SYSTEMS
 - 1H CRUISE COMMAND
 - 1J FUEL SYSTEMS
 - 1K EXHAUST SYSTEMS

PART 1 POWER PLANT



- CHAPTERS
- 2B MANUAL TRANSMISSION
 - 2D TRANSFER CASE
 - 2F AXLES
 - 2H WHEELS AND TIRES

PART 2 CHASSIS



- CHAPTERS
- 3E AIR CONDITIONING
 - 3J DOORS
 - 3T WINDSHIELD WIPERS
 - 3V RADIO SOUND SYSTEMS

PART 3 BODY

Jeep Corporation
Service Department

Copyright © 1982 Jeep Corporation
All Rights Reserved Litho in U.S.A.

Alphabetical Index
Vacuum Line Routing Diagrams

