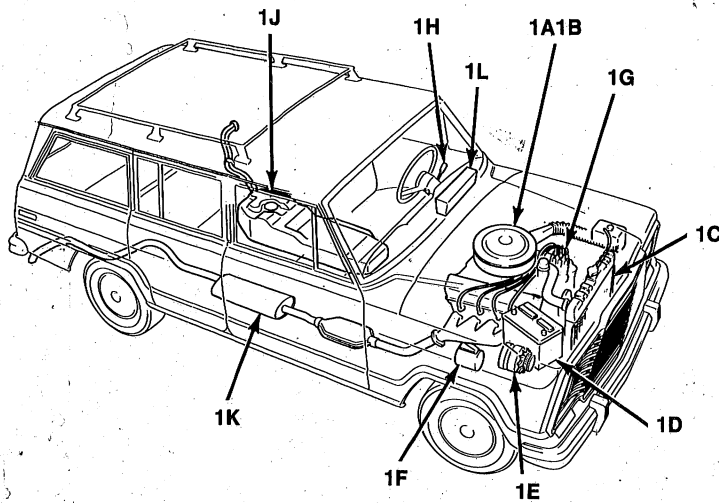


1982 JEEP TECHNICAL SERVICE MANUAL

General Information **A**

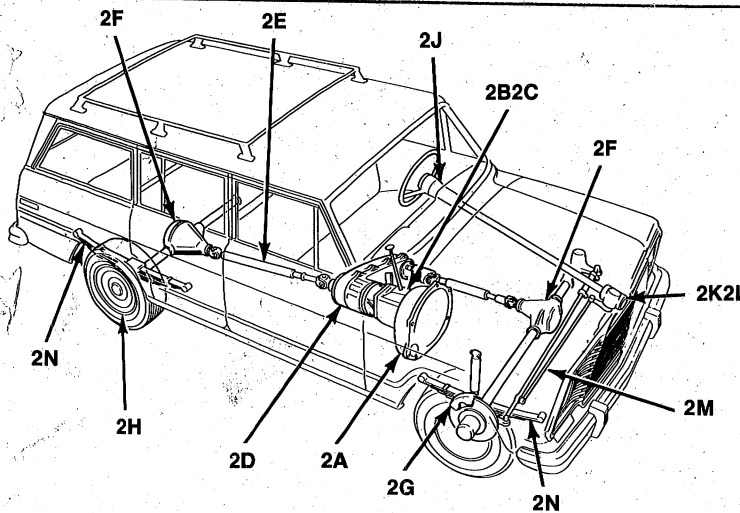
Maintenance **B**



CHAPTERS

- 1A GENERAL SERVICE AND DIAGNOSIS
- 1B ENGINES
- 1C COOLING SYSTEMS
- 1D BATTERIES
- 1E CHARGING SYSTEM
- 1F STARTING SYSTEM
- 1G IGNITION SYSTEM
- 1H CRUISE COMMAND
- 1J FUEL SYSTEMS
- 1K EXHAUST SYSTEMS
- 1L ENGINE INSTRUMENTATION

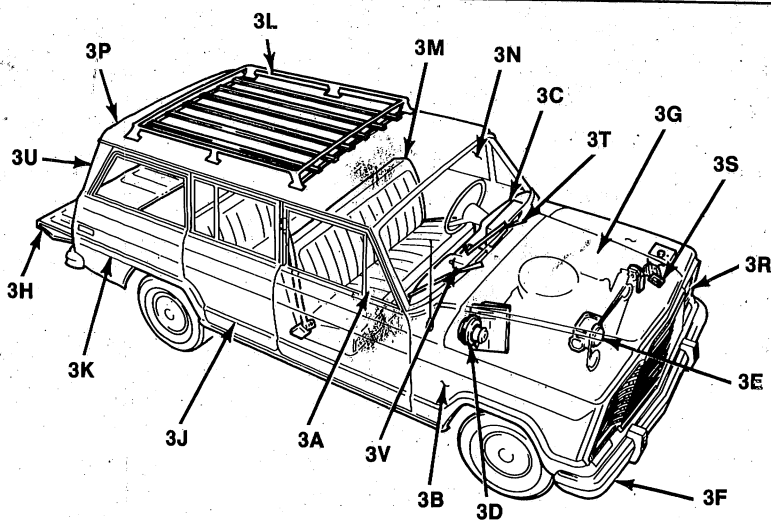
PART 1 POWER PLANT



CHAPTERS

- 2A CLUTCH
- 2B MANUAL TRANSMISSION
- 2C AUTOMATIC TRANSMISSION
- 2D TRANSFER CASE
- 2E PROPELLER SHAFT
- 2F AXLES
- 2G BRAKES
- 2H WHEELS AND TIRES
- 2J STEERING COLUMNS
- 2K MANUAL STEERING GEAR
- 2L POWER STEERING GEAR AND PUMP
- 2M STEERING LINKAGE
- 2N SUSPENSION

PART 2 CHASSIS



CHAPTERS

- 3A WATER LEAK/WIND NOISE DIAGNOSIS AND REPAIR
- 3B METAL REPAIR AND PAINTING
- 3C INSTRUMENT PANELS AND COMPONENTS
- 3D HEATER
- 3E AIR CONDITIONING
- 3F BODY AND FRAME COMPONENTS
- 3G HOODS
- 3H LIFTGATES — TAILGATES
- 3J DOORS
- 3K REAR QUARTER
- 3L HARDTOP ENCLOSURE — SUN ROOF AND LUGGAGE RACKS
- 3M SEAT ASSEMBLIES
- 3N WINDSHIELD — REAR WINDOW
- 3P HEADLINING — EXTERIOR DECALS AND OVERLAYS
- 3R LIGHTING SYSTEMS
- 3S HORN SYSTEMS
- 3T WINDSHIELD WIPERS
- 3U TAILGATE WINDOW DEFOGGER
- 3V RADIO SOUND SYSTEMS

PART 3 BODY

**Jeep Corporation
Service Department**

Copyright © 1982 Jeep Corporation
All Rights Reserved Litho in U.S.A.

Alphabetical Index

Vacuum Line Routing Diagrams

Wiring Diagrams

