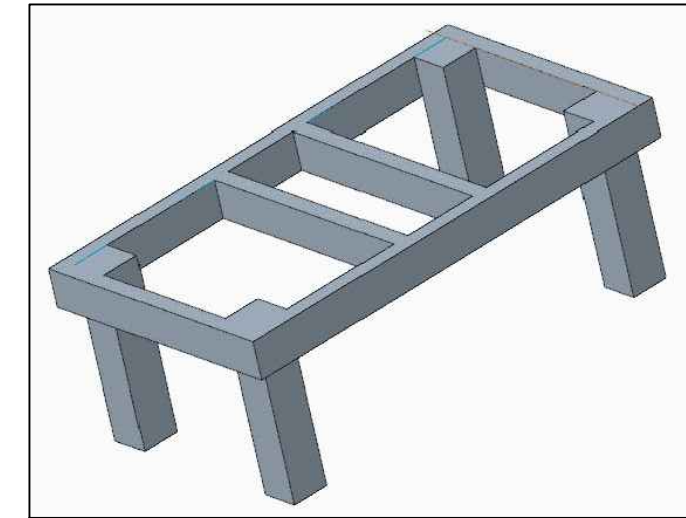


REVISIONS		ALL SHEETS SAME REV	
REV	DESCRIPTION	DATE	APPROVED
IR	Initial Release	05/14/2019	NA




CUT LIST:
 4-4X4X16" POSTS
 2-2X4X40" SIDE RAILS
 2-2X4X23" END RAILS
 2-2X4X20" CENTER RAILS

- NOTES:**
- USE TREATED WOOD FOR STAND CONSTRUCTION
 - COAT IN PAINT OR EXTERIOR POLYURATHINE/SPAR VARNISH.
 - ALLOW PAINT/POLY >1 WEEK TO OUT-GAS BEFORE HIVE INSTALLATION
 - STAND MUST BE SET LEVEL.
 - IF ONLY ONE HIVE INSTALLED, MOVE TO CENTER. DO NOT LEAVE OR INSTALL ON JUST ONE SIDE OF BASE UNLESS BASE IS SET INTO CONCRETE
 - POSTS CAN BE SET INTO CONCRETE
 - ADJUST CUT LENGTH ACCORDINGLY
 - SET BELOW FROST LINE
 - THERE MUST BE >12" OF SPACE BETWEEN THE BOTTOM OF RAILS AND THE GROUND.

PROPRITARY NOTICE
 THIS DOCUMENT CONTAINS CONFIDENTIAL AND PROPRIETARY INFORMATION THAT CANNOT BE REPRODUCED OR DIVULGED, IN WHOLE OR IN PART, WITHOUT WRITTEN AUTHORIZATION FROM MATT TALLEY

EXPORT CONTROLLED
 THIS DOCUMENT, INCLUDING ITS ATTACHMENTS AND EXHIBITS, MAY CONTAIN INFORMATION SUBJECT TO THE INTERNATIONAL TRAFFIC IN ARMS REGULATIONS OR THE EXPORT ADMINISTRATION REGULATIONS. SUCH INFORMATION MAY NOT BE EXPORTED, RELEASED OR DISCLOSED TO FOREIGN PERSONS INSIDE OR OUTSIDE THE UNITED STATES WITHOUT FIRST OBTAINING AN EXPORT LICENSE. INCLUDE THIS NOTICE WITH ANY REPRODUCED PORTION OF THIS DOCUMENT

MODEL VERSION	IR	RELEASE LEVEL	Concept
DRAWING VERSION	1.1		
PROJ	TBD	 Matt Talley www.mattotmanytrades.com	
DWN	M. TALLEY		
DATE	05/14/2018	Duel 10-Frame Wooden Hive Stand	
CHK	N/A		
DATE	N/A	SIZE DRAWING NO. D	
DSEGN	N/A		
MATL	N/A	SCALE NONE APPROX. WT 1 of X	
STRUCY	N/A		
DATE	N/A		
APVD	N/A		